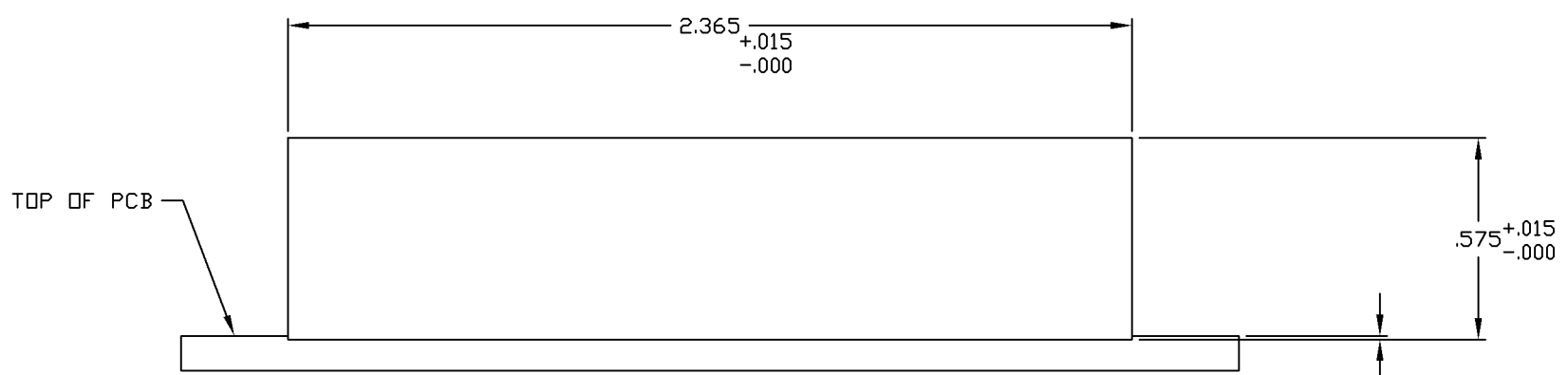
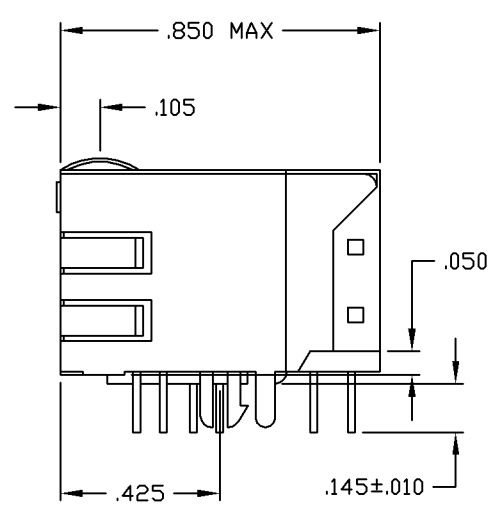
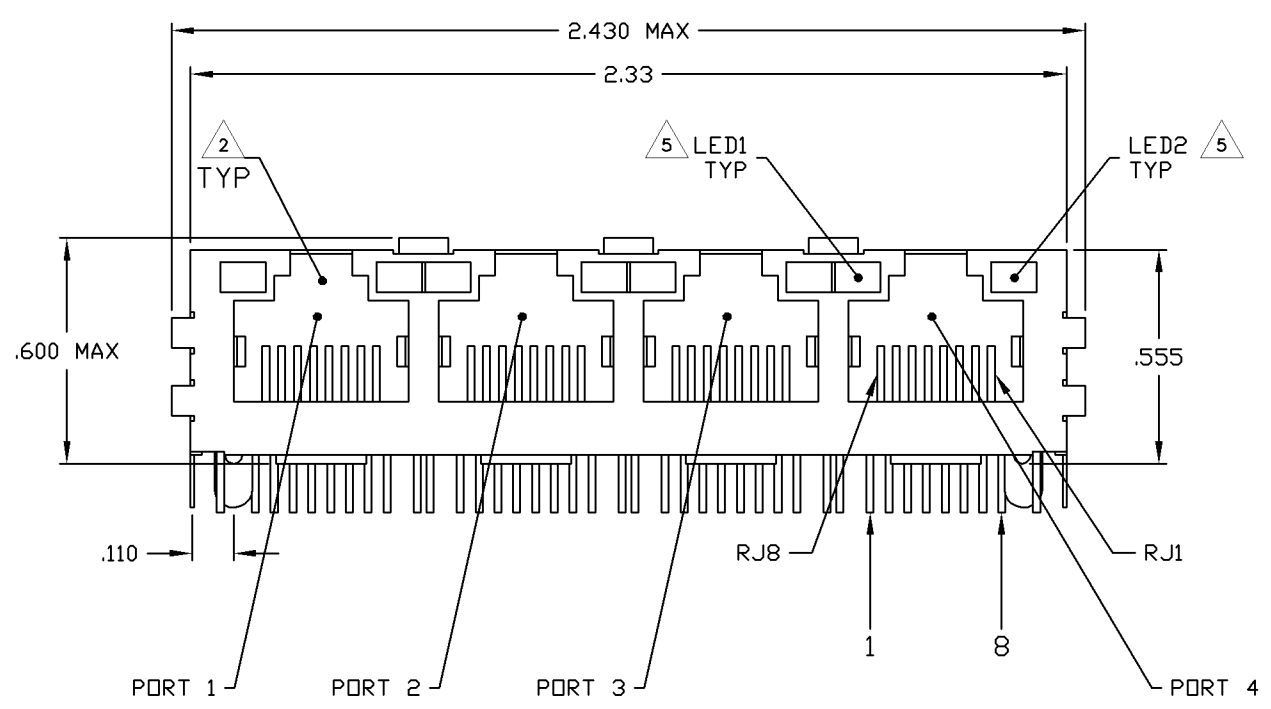
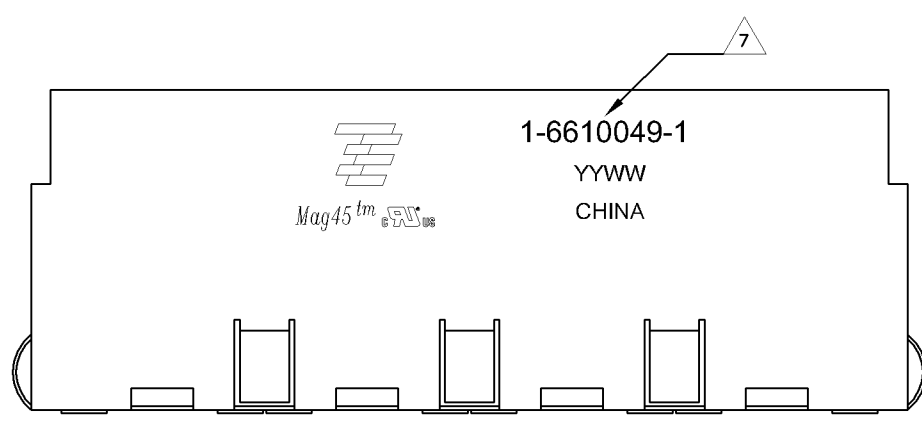


THIS DRAWING IS UNPUBLISHED. RELEASED FOR PUBLICATION  
 BY TYCO ELECTRONICS CORPORATION. ALL RIGHTS RESERVED.

LOC		DST		REVISIONS			
#	LN	DESCRIPTION	DATE	BY	APP		
C		REV PER ECO-08-021857	02APR2008	VL	TX		

MECHANICAL:



1X4 SUGGESTED PANEL CUTOUT

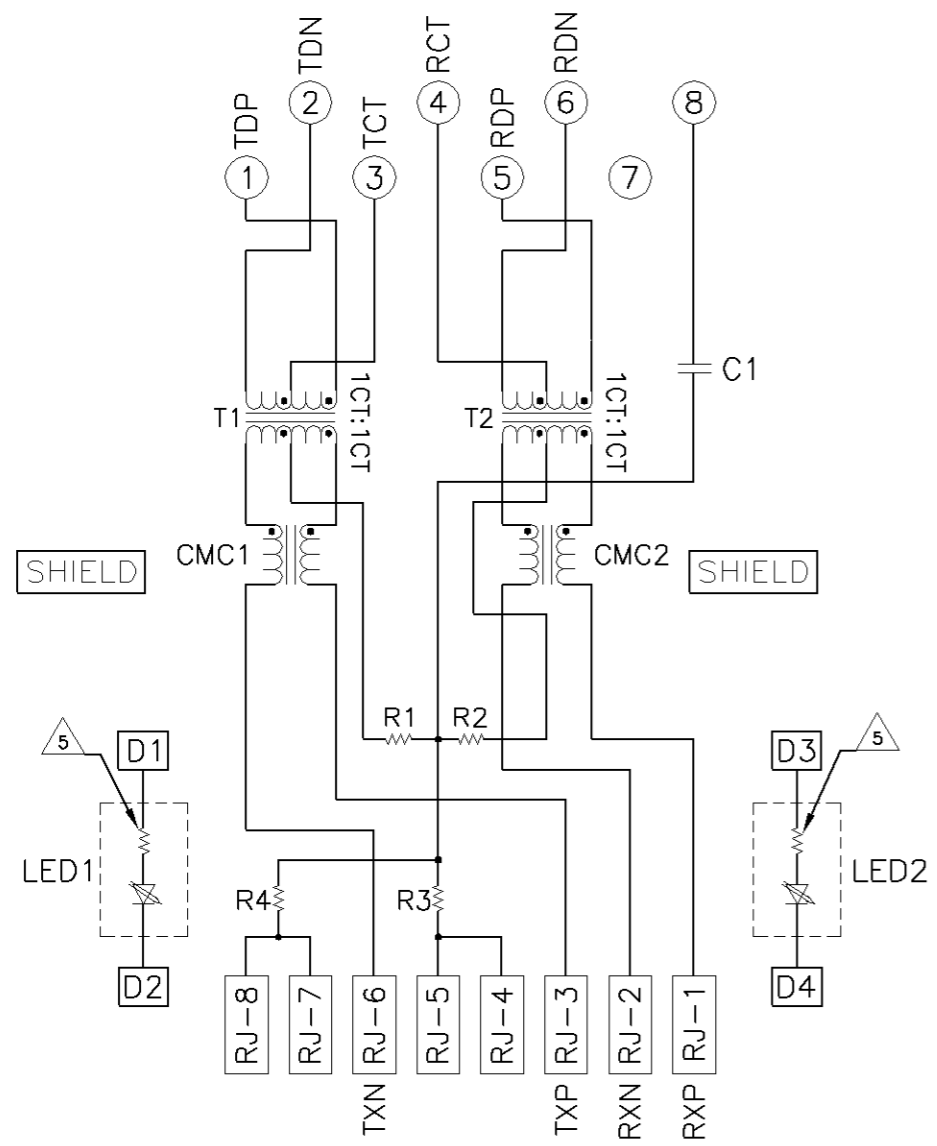
- NOTES:
- MATERIALS:
    - HOUSING - THERMOPLASTIC PET POLYESTER FLAMMABILITY RATING UL 94V-0
    - SHIELD - .010" THICK, C26800 BRASS PREPLATED WITH 30μINCH MIN SEMI-BRIGHT NICKEL. SOLDER TABS POST DIPPED WITH 100μINCH MIN SAC SOLDER.
    - MOD JACK CONTACTS - 0.0157 X 0.018" PHOSPHOR BRONZE, 50μINCH MIN OVERALL NICKEL UNDERPLATE WITH SELECT 50μINCH MIN HARD GOLD FINISH PLATE. SOLDER TAILS WITH 100μINCH MIN MATTE TIN AND/OR SAC SOLDER DIP.
    - LIGHT EMITTING DIODE(LED) - DIFFUSED EPOXY LENS, .020" X .020" CARBON STEEL WIREFRAME LEADS PRE-PLATED WITH 80μINCH SILVER OVER 40μINCH NICKEL UNDERPLATE OVER 40μINCH COPPER UNDERPLATE. POST-PLATED WITH 100μINCH MIN MATTE TIN AND/OR SAC SOLDER DIP OR PURE TIN SOLDER DIP.
  - RJ45 JACK CAVITY CONFORMS TO FCC RULES AND REGULATIONS PART 68, SUB PART F.
  - MAGNETICS
    - IMPEDANCE: 100 OHMS
    - TURNS RATIO (CHIP CABLE): TX = 1:1, RX = 1:1
    - OPEN CIRCUIT INDUCTANCE (OCL): 350μH MIN @100kHz, 0.1VRMS, 8mADC BIAS FROM 0°C TO 70°C, TX AND RX
    - PERFORMANCE @ 25°C:
      - INSERTION LOSS (IL): 1.1dB MAX FROM 0.5MHz TO 100MHz
      - RETURN LOSS (RL): 18dB MIN FROM 0.5MHz TO 30MHz
      - 18-20LOG(f/30)dB MIN FROM 30.1MHz TO 60MHz
      - 12dB MIN FROM 60.1MHz TO 80MHz
      - CROSSTALK ATTENUATION: 35dB MIN FROM 0.5MHz TO 40MHz
      - 33-20\*LOG(f/50)dB MIN FROM 40.1MHz TO 100MHz
      - COMMON MODE REJECTION RATIO (CMRR): 30dB MIN FROM 0.5MHz TO 100MHz
      - ISOLATION VOLTAGE: COMPLIES WITH IEEE802.3 2002, PARA 23.5.11, ITEM b.
  - OPERATING TEMPERATURE: FROM 0°C TO +70°C.
  - LED IS DRIVEN WITH 5V VOLTAGE AND THE MAX OPERATING CURRENT IS 20mA.  
 LED COLOR : DOMINANT WAVELENGTH (λD): GREEN 568 nm TYP. at VF=5V  
 FORWARD CURRENT (IF): GREEN 12 mA TYP. at VF=5V  
 DOMINANT WAVELENGTH (λD): YELLOW 588 nm TYP. at VF=5V  
 FORWARD CURRENT (IF): YELLOW 13 mA TYP. at VF=5V
  - INDICATED CONNECTIONS ARE FOR HUB CONFIGURATION. HOWEVER, THE MAGNETICS ARE SYMMETRICAL TO ACCOMMODATE CONNECTIONS FOR EITHER NIC OR HUB CONFIGURATION, OR AUTO-MDI/MDIX.
  - TYCO ELECTRONICS LOGO, PART NUMBER, DATE CODE, COUNTRY OF ORIGIN AND AGENCY APPROVAL MARKING IN APPROXIMATE LOCATION SHOWN.
  - THESE PARTS ARE RECOMMENDED FOR WAVE SOLDERING PROCESS, PREHEAT TEMPERATURE IS 120°C TO 160°C, 120 SECONDS TO 180 SECONDS, PEAK WAVE SOLDERING TEMPERATURE IS 260°C MAX, 10 SECONDS MAX.

YES	GREEN	YELLOW	5-6610049-1
NO	GREEN	GREEN	1-6610049-1
DECOUPLING CAPACITOR	LED1	LED2	PART NUMBER

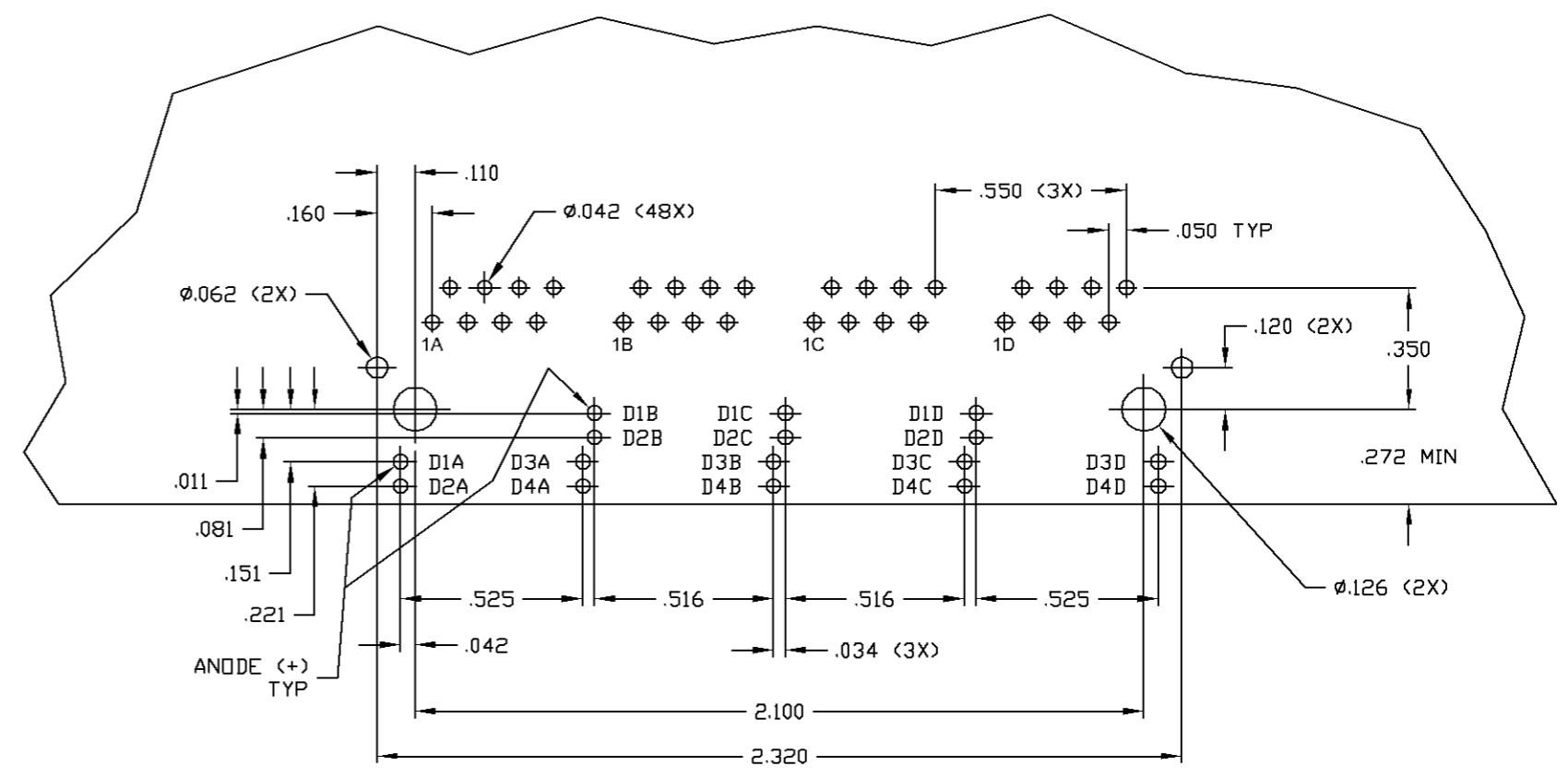
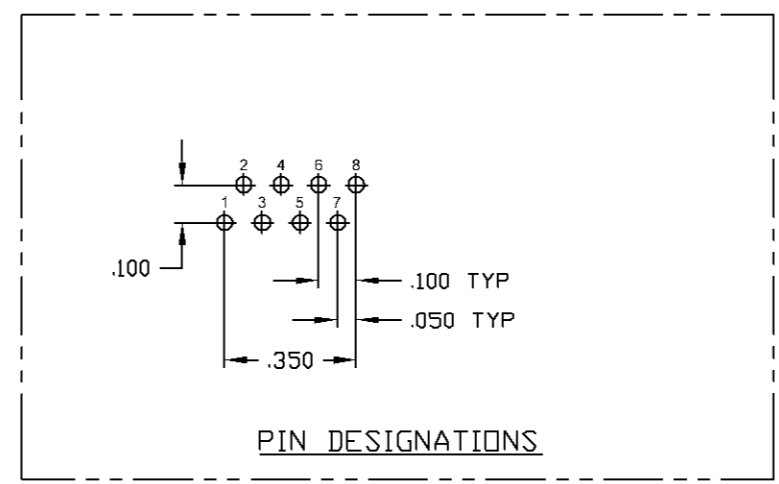
THIS DRAWING IS A CONTROLLED DOCUMENT.

DIMENSIONS: INCHES 0 PLG ± - 1 PLG ± - 2 PLG ± .010 3 PLG ± .005 4 PLG ± - ANGLES ± - FINISH ± -	TOLERANCES UNLESS OTHERWISE SPECIFIED: 0 PLG ± - 1 PLG ± - 2 PLG ± .010 3 PLG ± .005 4 PLG ± - ANGLES ± - FINISH ± -	DRN L VARELA - DOCK5 CHK D. FAROLE APD D. FAROLE PRODUCT SPEC 108-2100 APPLICATION SPEC WEIGHT - MATERIAL A1 CUSTOMER DRAWING	Tyco Electronics Corporation ChangPing, China Tyco Electronics 1X4 MAG45(TM) MODULAR JACK, 7H2 SCHEMATIC, 66 SERIES CIRCUIT, SHIELDED, OPTIONAL DECOUPLING CAPACITOR, RESISTOR LEADS SIZE 00779 SCALE 4:1 SHEET 1 OF 2 REV C
--	---	--	---

766 SERIES MAGNETIC CIRCUIT 3 6



C1 = 1000pF, 2kV CAPACITOR  
 R1-R4 = 75 OHMS, 1/16 W RESISTOR



SUGGESTED PCB LAYOUT  
 (COMPONENT SIDE)

THIS DRAWING IS A CONTROLLED DOCUMENT.		REV: VARELA - 10/14/2009	DATE: 10/14/2009	Tyco Electronics Corporation ChangPing, China	
DIMENSIONS: INCHES		DESIGN: D. FAROLE	DATE: 10/14/2009	NAME: 1X4 MAG45(TM) MODULAR JACK, 7H2 SCHEMATIC, 66 SERIES CIRCUIT, SHIELDED, OPTIONAL DECOUPLING CAPACITOR, RESISTOR LEDS	
TOLERANCES UNLESS OTHERWISE SPECIFIED:		PRODUCT SPEC: 108-2100	APPLICATION SPEC:	SIZE: A1	GAGE CODE: 00779
Ø	PLC ± .010	DRAWING NO: 6610049		RESTRICTED TO:	
	PLC ± .005	CUSTOMER DRAWING		SCALE: 4:1	
	PLC ± .003	SHEET 2 OF 2		REV C	
	ANGLES ± .005				
	FINISH:				